

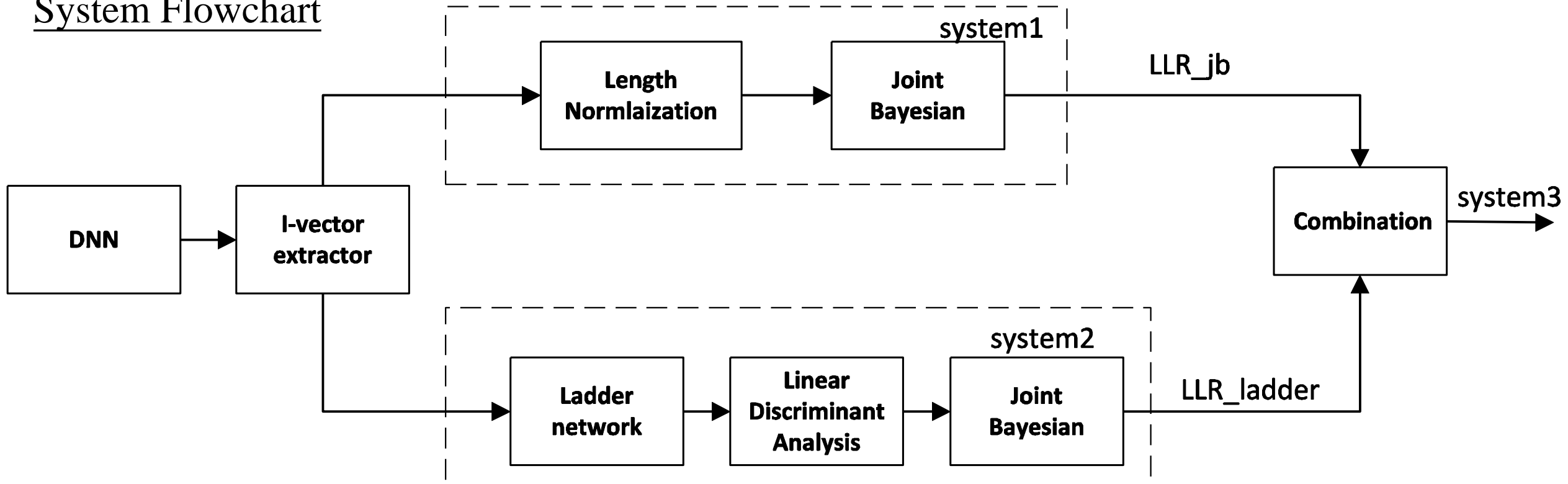
The THU-SPMI SRE-16 System with Joint Bayesian Scoring and Ladder Network based Feature Learning



Yiyan Wang, Haotian Xu, **Zhijian Ou**

Speech Processing and Machine Intelligence (SPMI) Lab, Tsinghua University, Beijing, China

System Flowchart

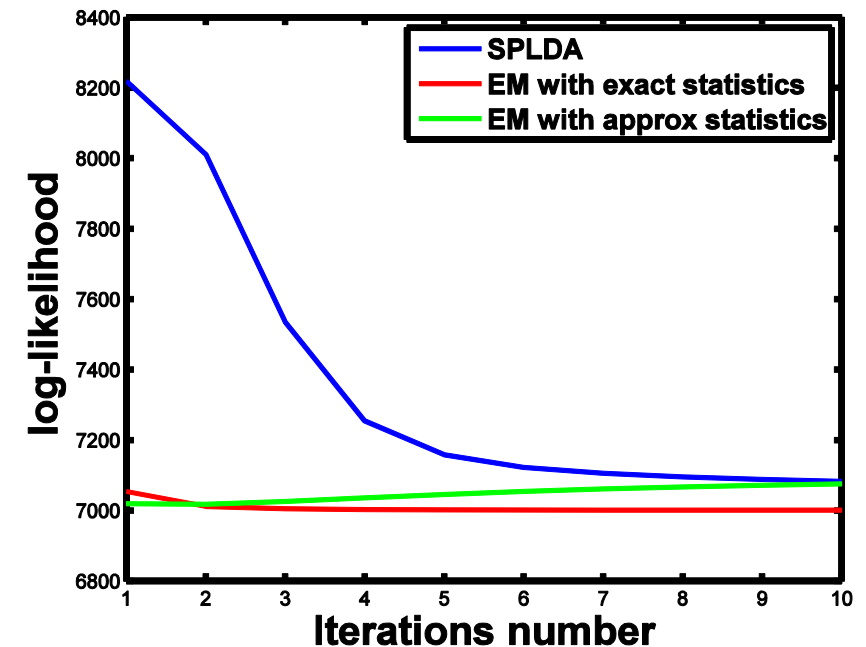
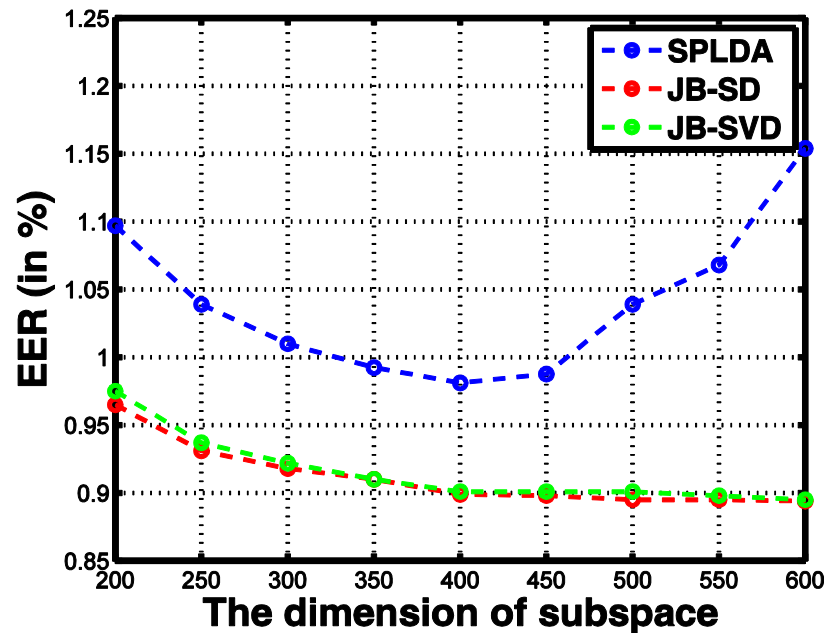
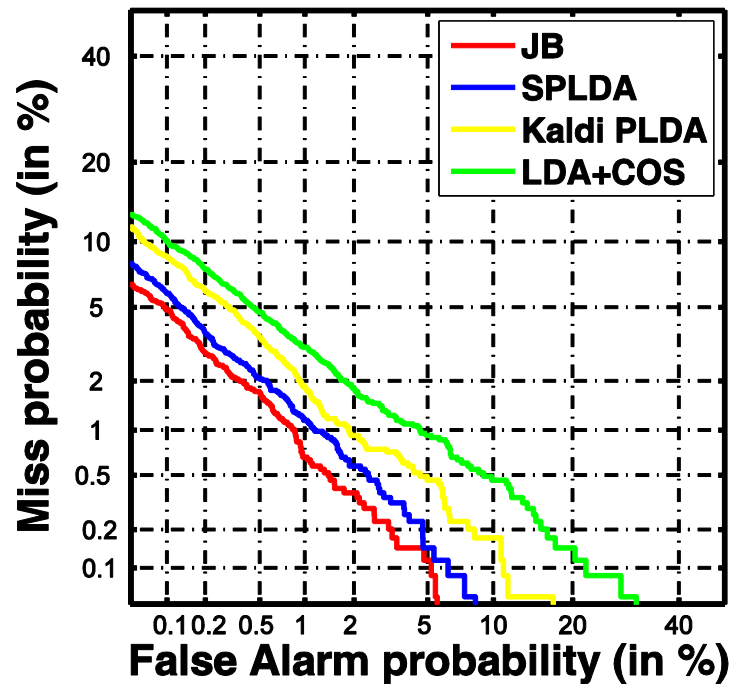


Our Novelties 1. Joint Bayesian Scoring

$$x_{ij} = \mu_i + \varepsilon_{ij}$$

Drawbacks of PLDAs

- It is difficult to determine the subspace dimension which is crucial for performance.
- Suffer from slow convergence of their implemented EM iterations.



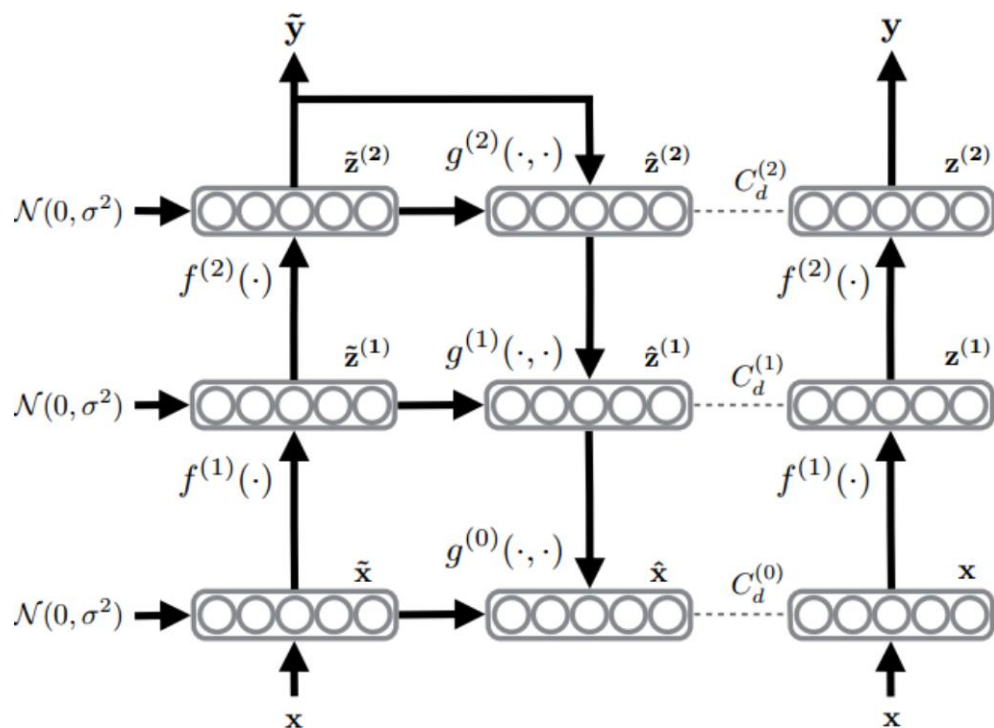
Experiment results on SRE10

Our Novelties 2. Ladder Network based Feature Learning

leveraging both labeled (SWD-2 and previous SREs) and un-labeled i-vectors (CallMyNet un-labeled)

$$L(\mathbf{x}, \mathbf{y}) = -\log p(\tilde{\mathbf{y}}|\mathbf{x}) + \sum_{i=1}^N \|\mathbf{z}^{(i)} - \hat{\mathbf{z}}_{BN}^{(i)}\|^2 + \alpha \|\mathbf{h}^{N-1} - \mathbf{c}_y\|^2$$

$$\mathbf{h}^{N-1} = f(\gamma^{N-1}(\tilde{\mathbf{z}}^{N-1} + \beta^{N-1}))$$



SRE16 results

	System 1(secondary)	System 2	System 3(primary)
dev			
Equalized			
eer	20.29	19.13	19.18
min_Cprimary	0.8243	0.8225	0.8080
act_Cprimary	0.9095	0.9992	0.9986
Un-equalized			
eer	19.41	19.78	19.55
min_Cprimary	0.8170	0.8213	0.8045
act_Cprimary	0.9209	0.9994	0.9989
eval			
Equalized			
eer	15.39	17.24	14.71
min_Cprimary	0.7826	0.8570	0.7747
act_Cprimary	0.8993	0.9154	0.8860
Un-equalized			
eer	15.19	17.90	14.58
min_Cprimary	0.8025	0.8795	0.7949
act_Cprimary	0.9205	0.9474	0.9089